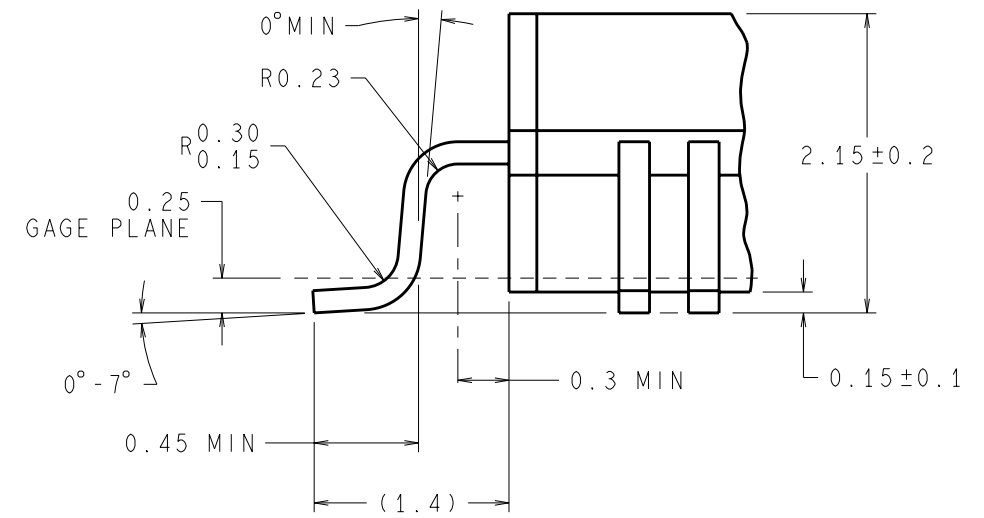
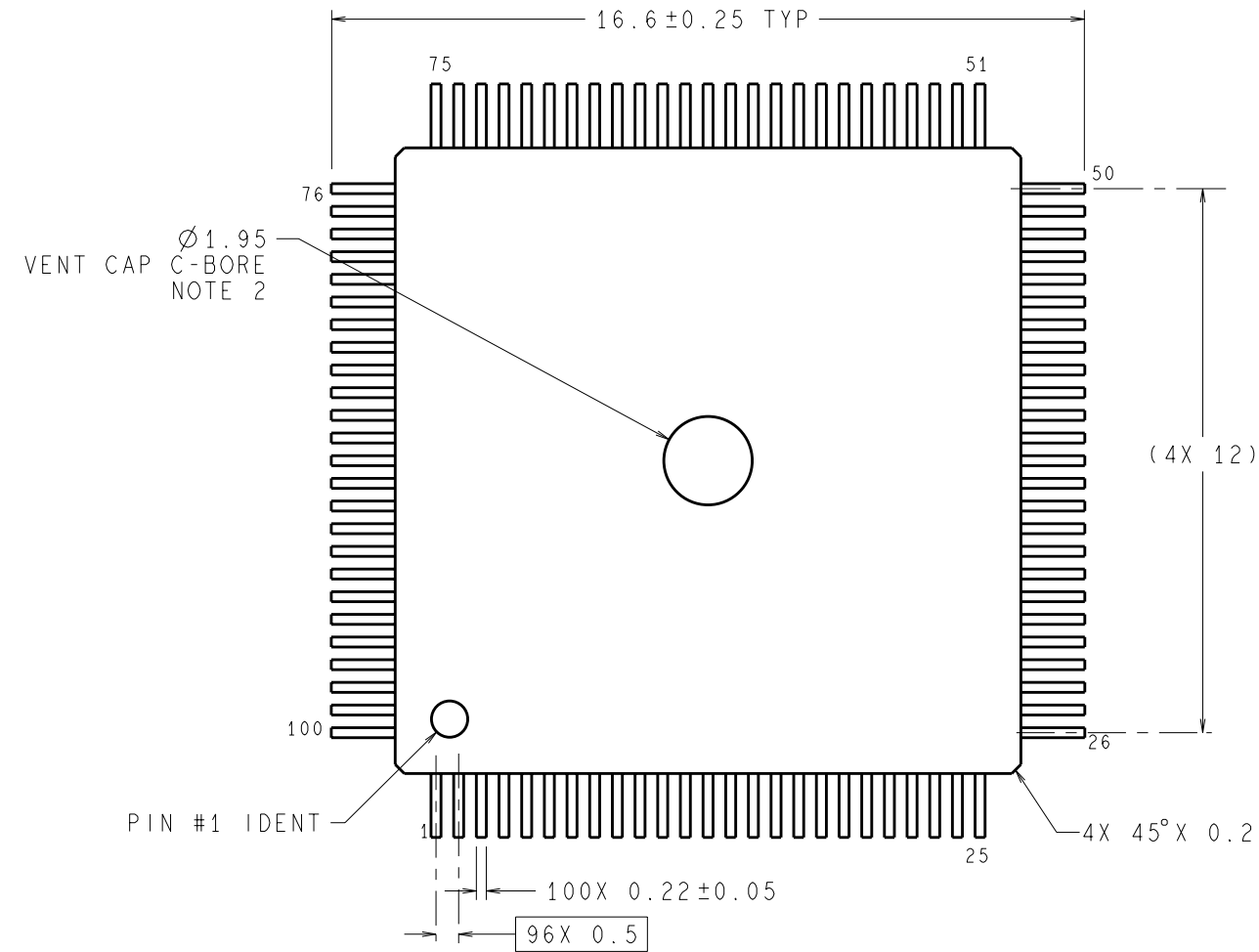
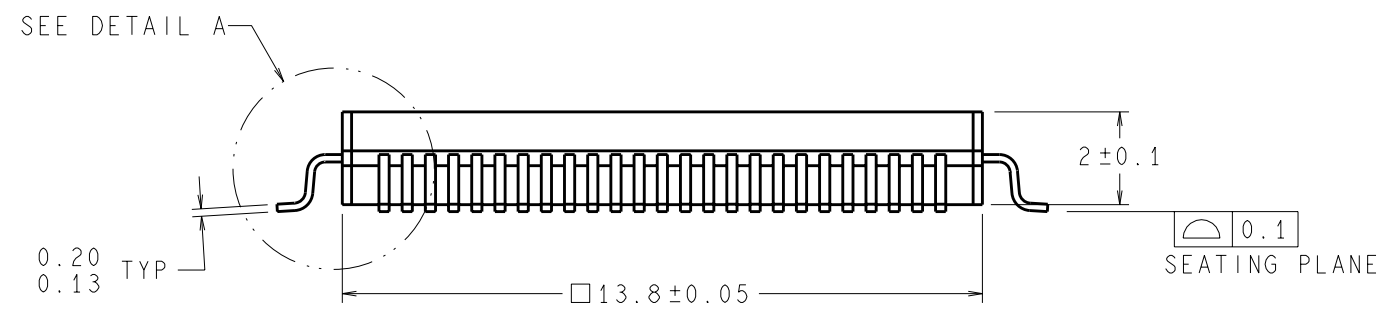


REVISIONS				
LTR	DESCRIPTION	E.C.N.	DATE	BY/APP'D
A	RELEASE TO DOCUMENT CONTROL	302	05/22/2001	TL/JS



DETAIL A
TYP, SCALE: 30X
NOTE 2



DIMENSIONS ARE IN MILLIMETERS

NOTES: UNLESS OTHERWISE SPECIFIED

1. STANDARD LEAD FINISH: 5.08 MICROMETERS MINIMUM SOLDER PLATING (85/15) THICKNESS.
2. THE LEADS CAN BE FORMED FOR CAVITY UP OR DOWN:
-THE VENT CAP WILL BE ON THE TOP FOR CAVITY UP (SHOWN)
-THE VENT CAP WILL BE ON THE BOTTOM FOR CAVITY DOWN
3. REFERENCE: AIT DRAWING DG-7101, REV A.

APPROVALS	DATE	National Semiconductor 2900 Semiconductor Dr., Santa Clara, CA 95052-8090		
DRAWN T. LEQUANG	05/22/2001			
DFTG. CHK. MARTA SUCHY	05/22/2001	MQUAD, 13.8 X 13.8 X 2.0mm, 100 LEAD, 0.5mm PITCH		
ENGR. CHK. JOE SMITH	05/22/2001			
PROJECTION	SCALE	SIZE	DRAWING NUMBER	REV
	N/A	C	(SC)MKT-AJU100A	A
DO NOT SCALE DRAWING			SHEET 1 of 1	